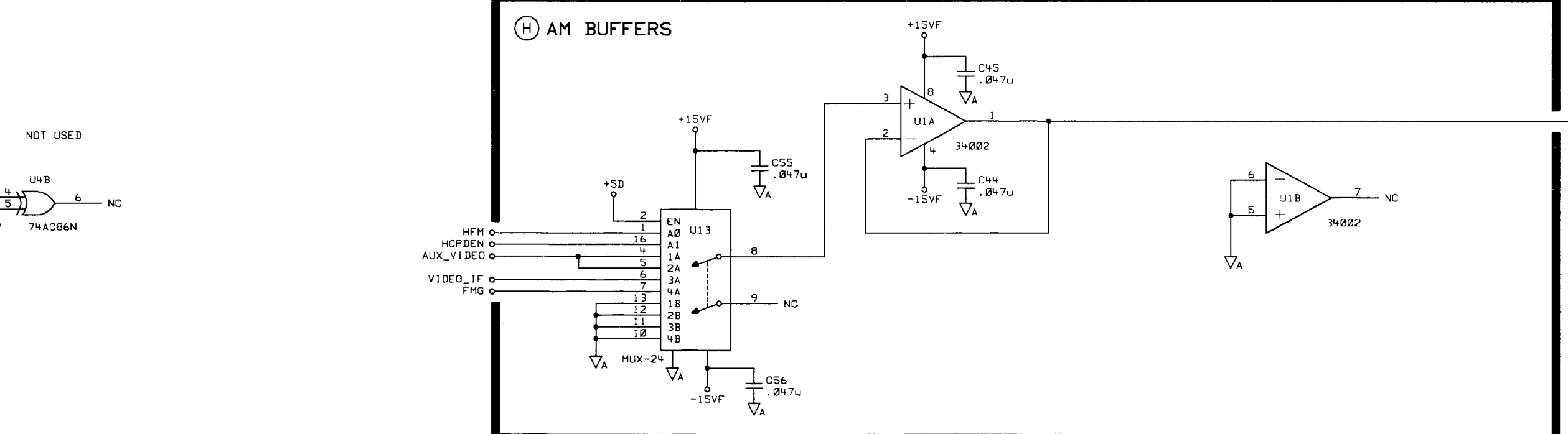
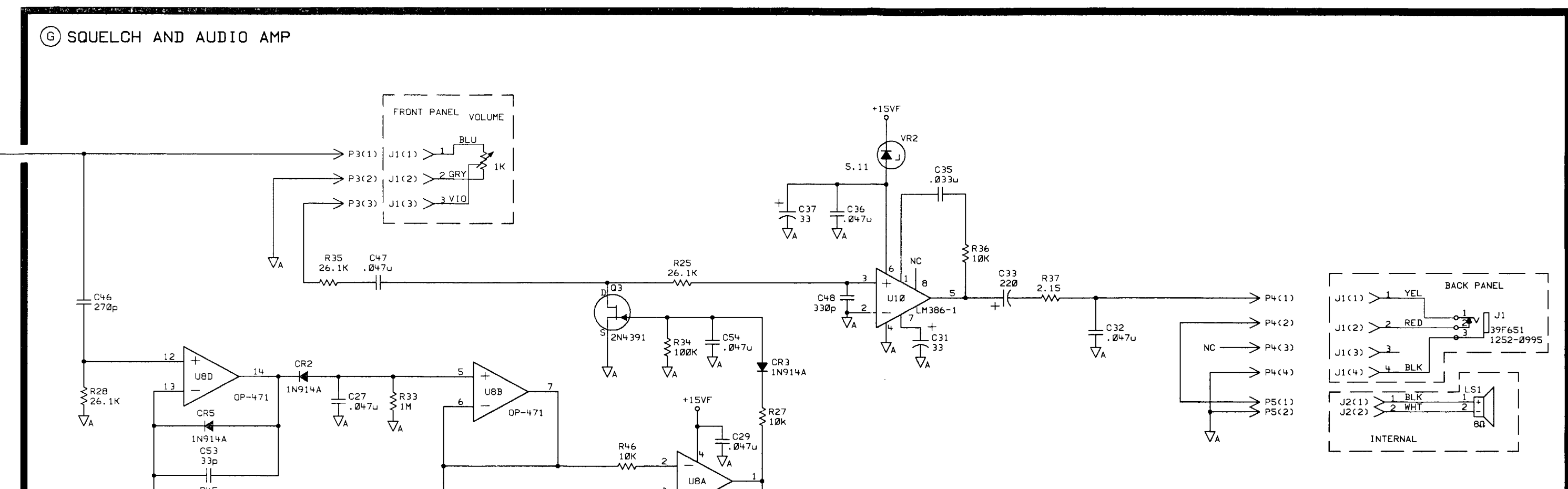
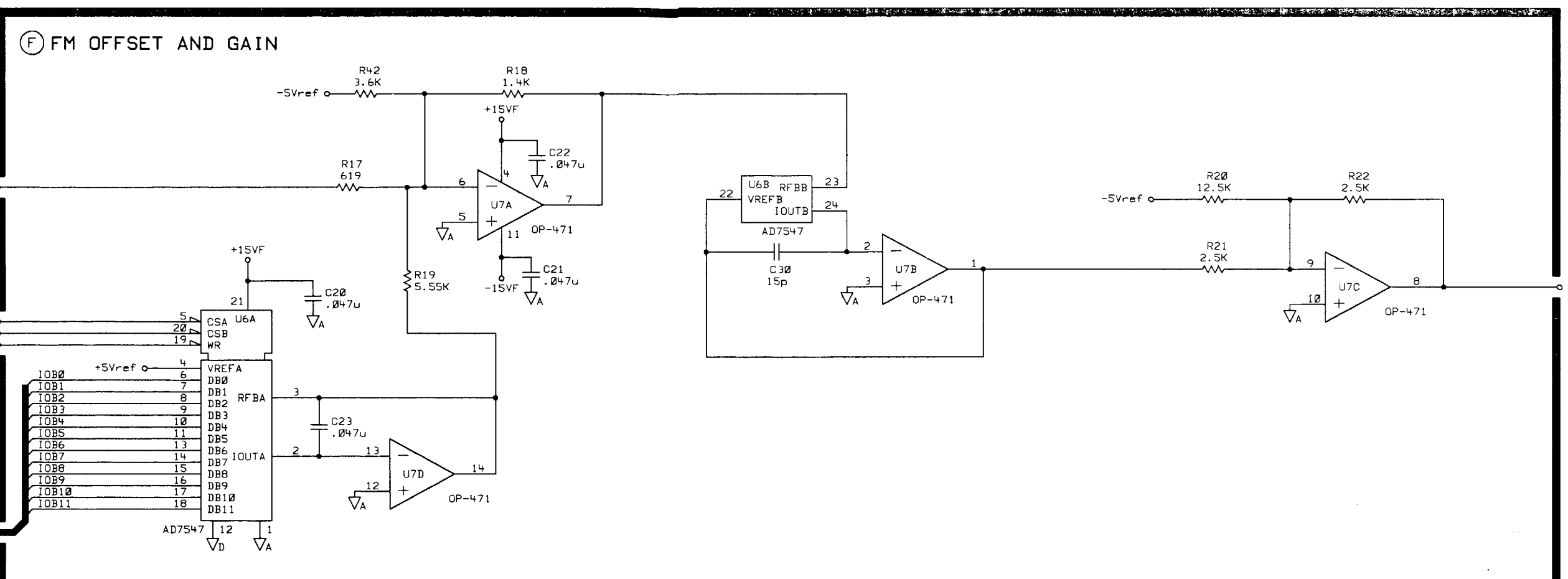
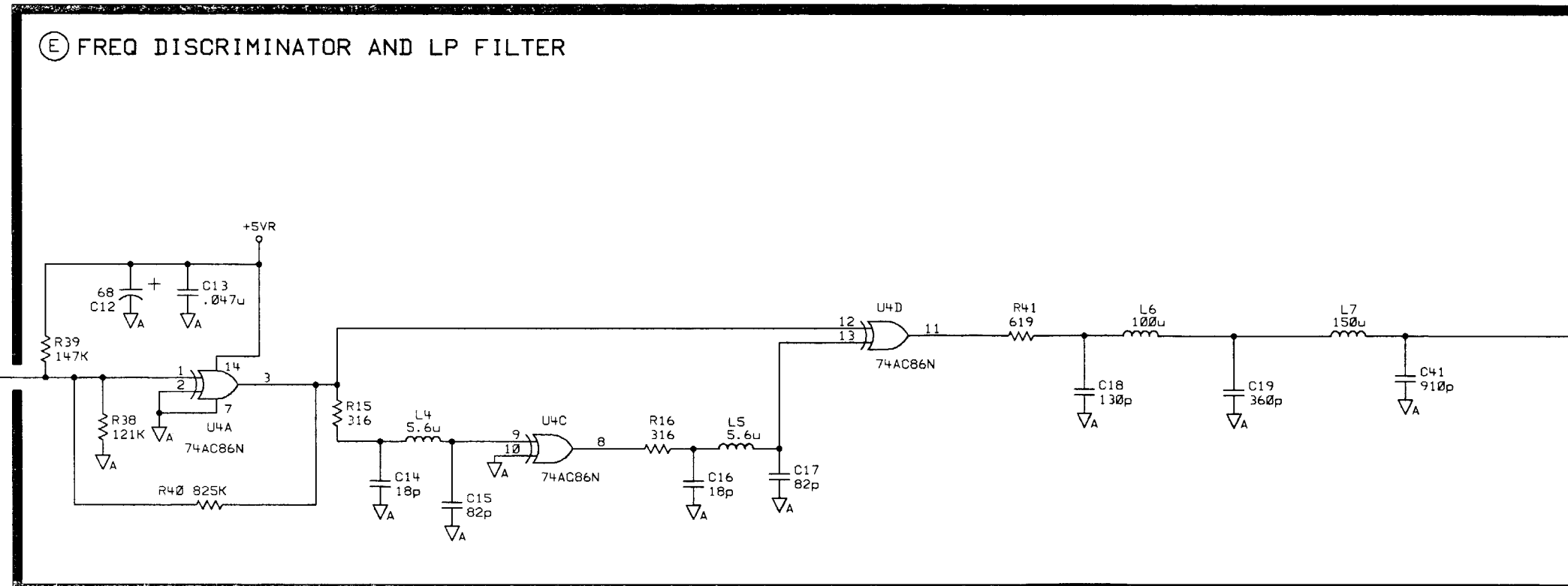
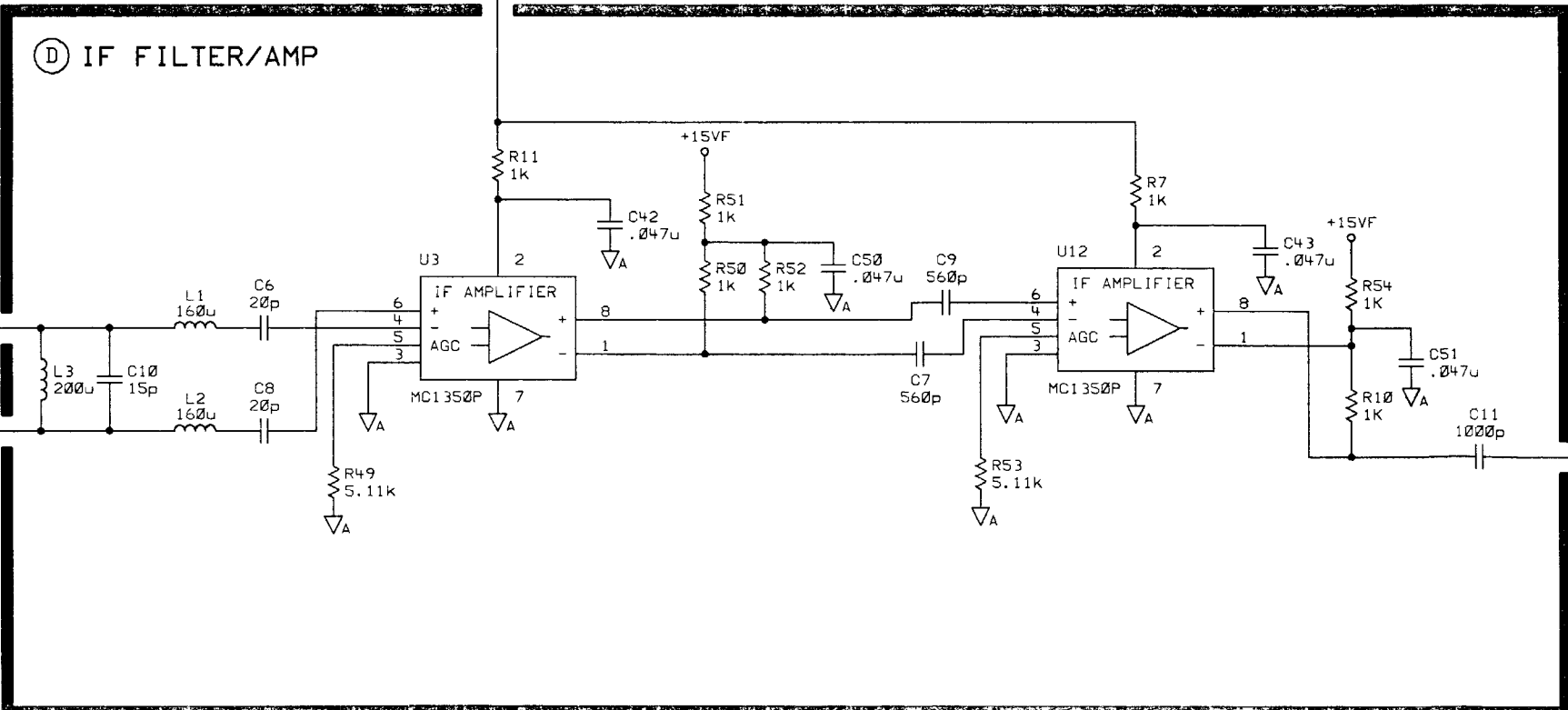
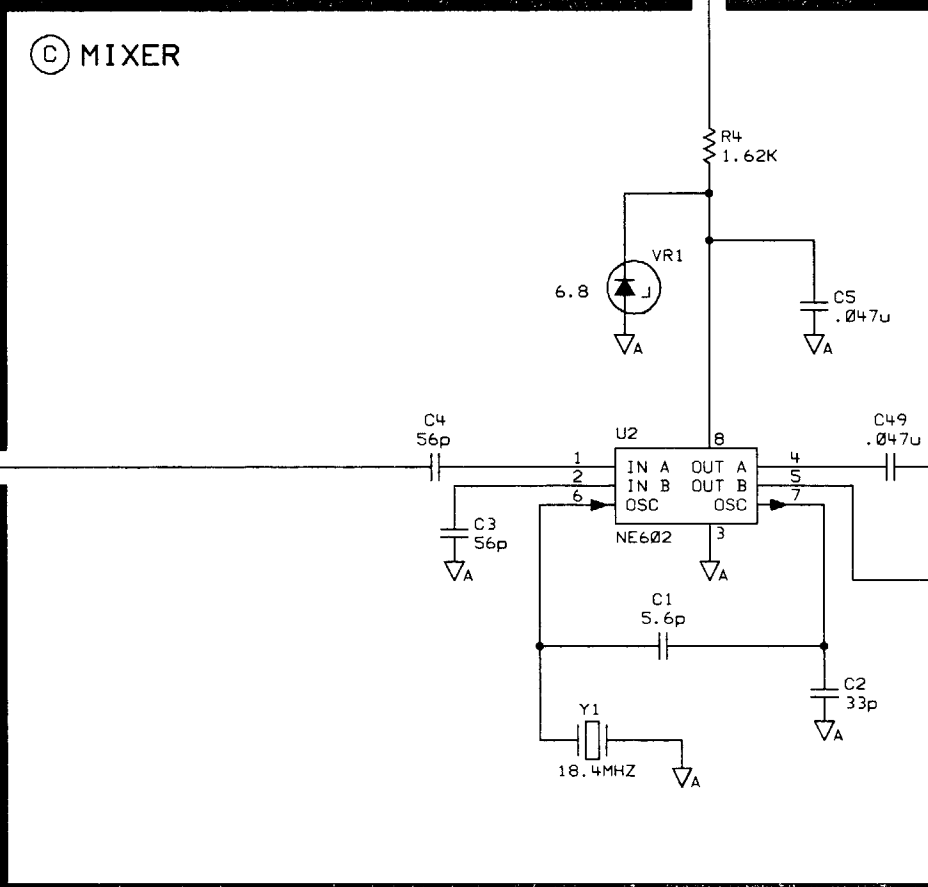
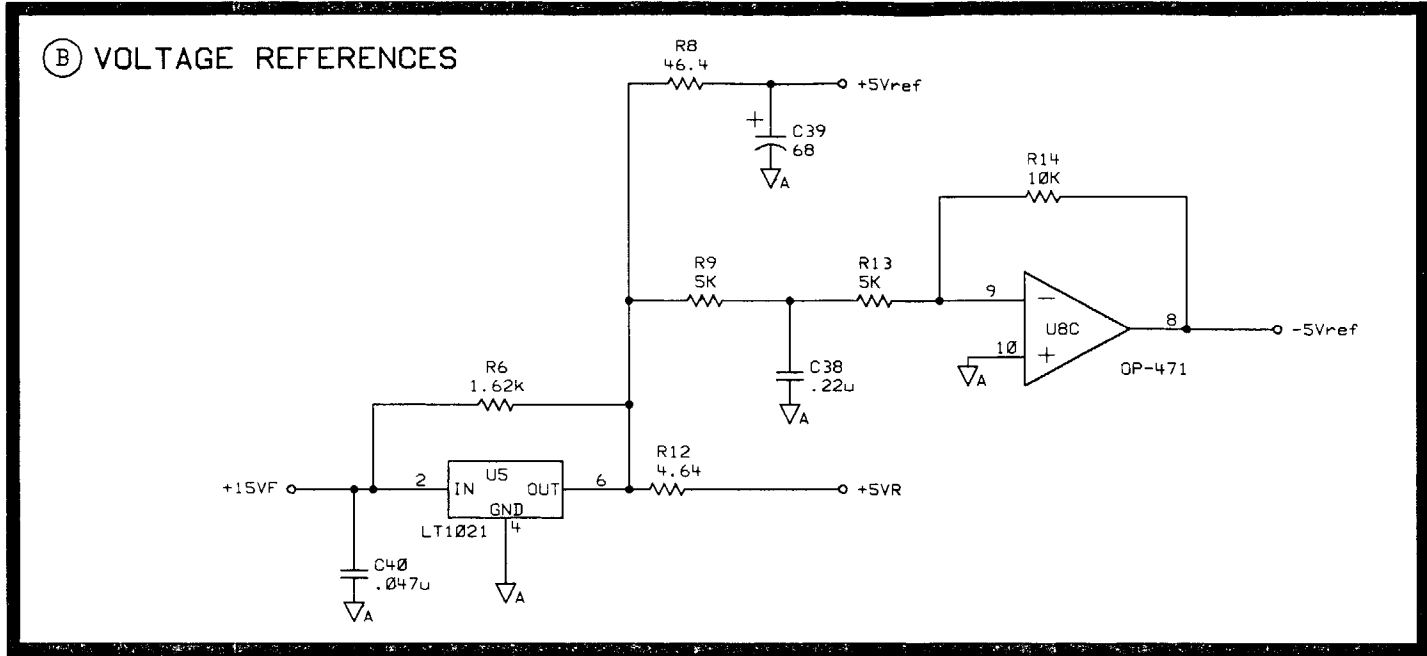
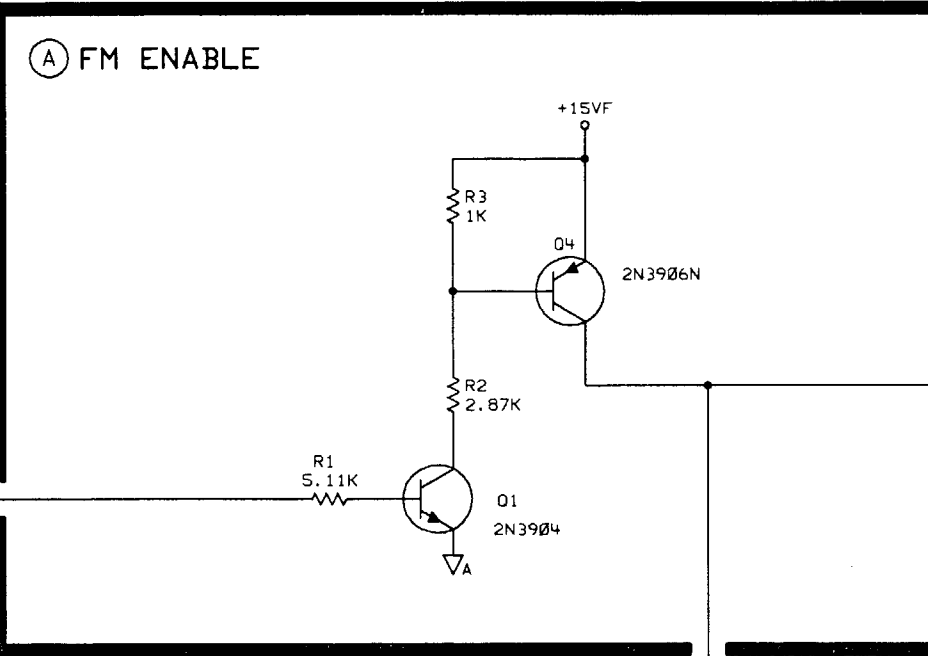


SYM	REVISIONS	APPROVED	DATE
A			



NOTES:
 1. REFERENCE DESIGNATORS WITHIN THIS ASSEMBLY ARE ABBREVIATED. PREFIX ABBREVIATION WITH ASSEMBLY NUMBER FOR COMPLETE REFERENCE DESIGNATOR.
 2. UNLESS OTHERWISE INDICATED: RESISTANCE IN OHMS (Ω) CAPACITANCE IN MICROFARADS (μF) INDUCTANCE IN MICRORHENRIES (μH)
 3. MNEMONIC TABLE

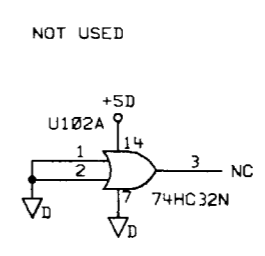
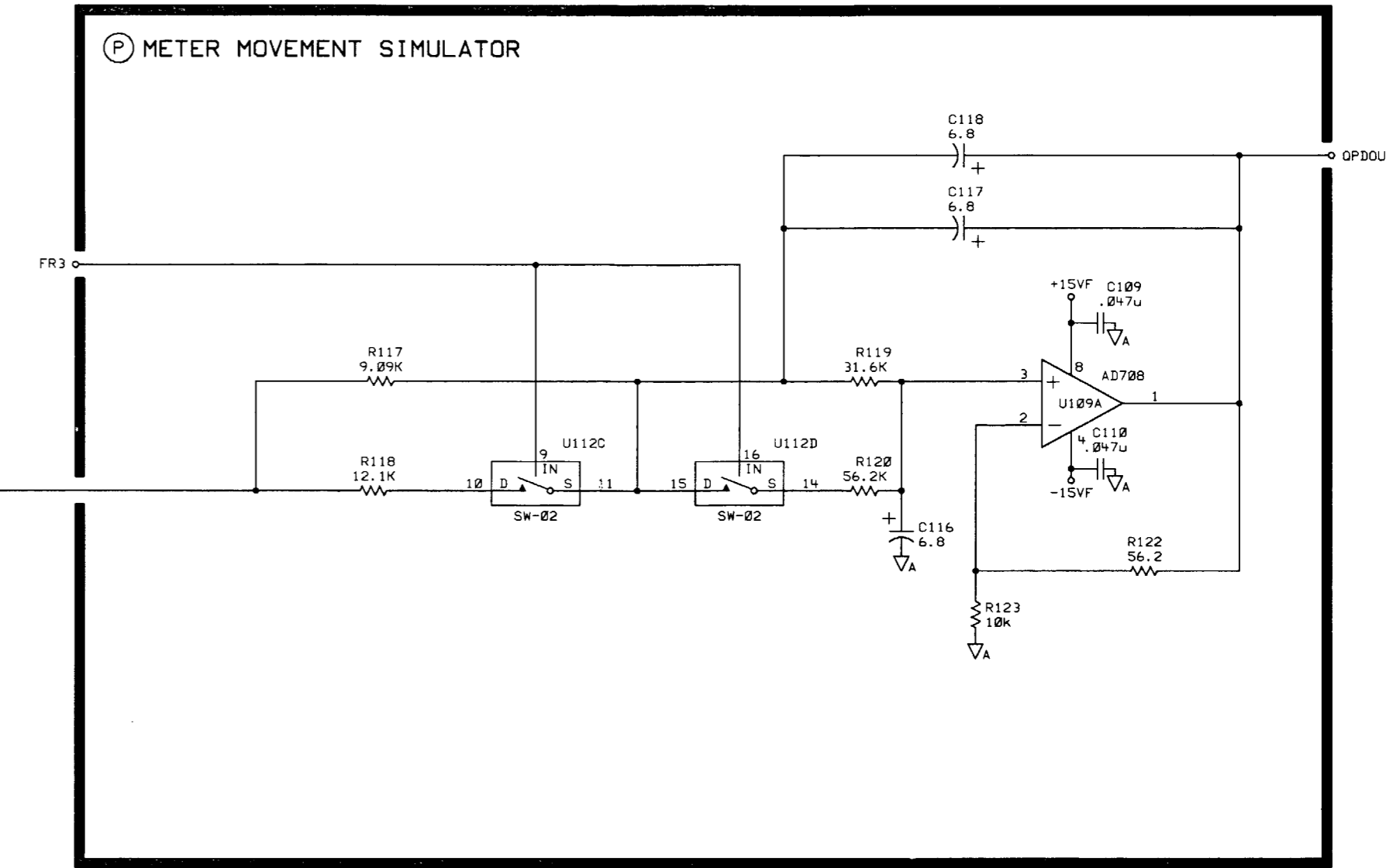
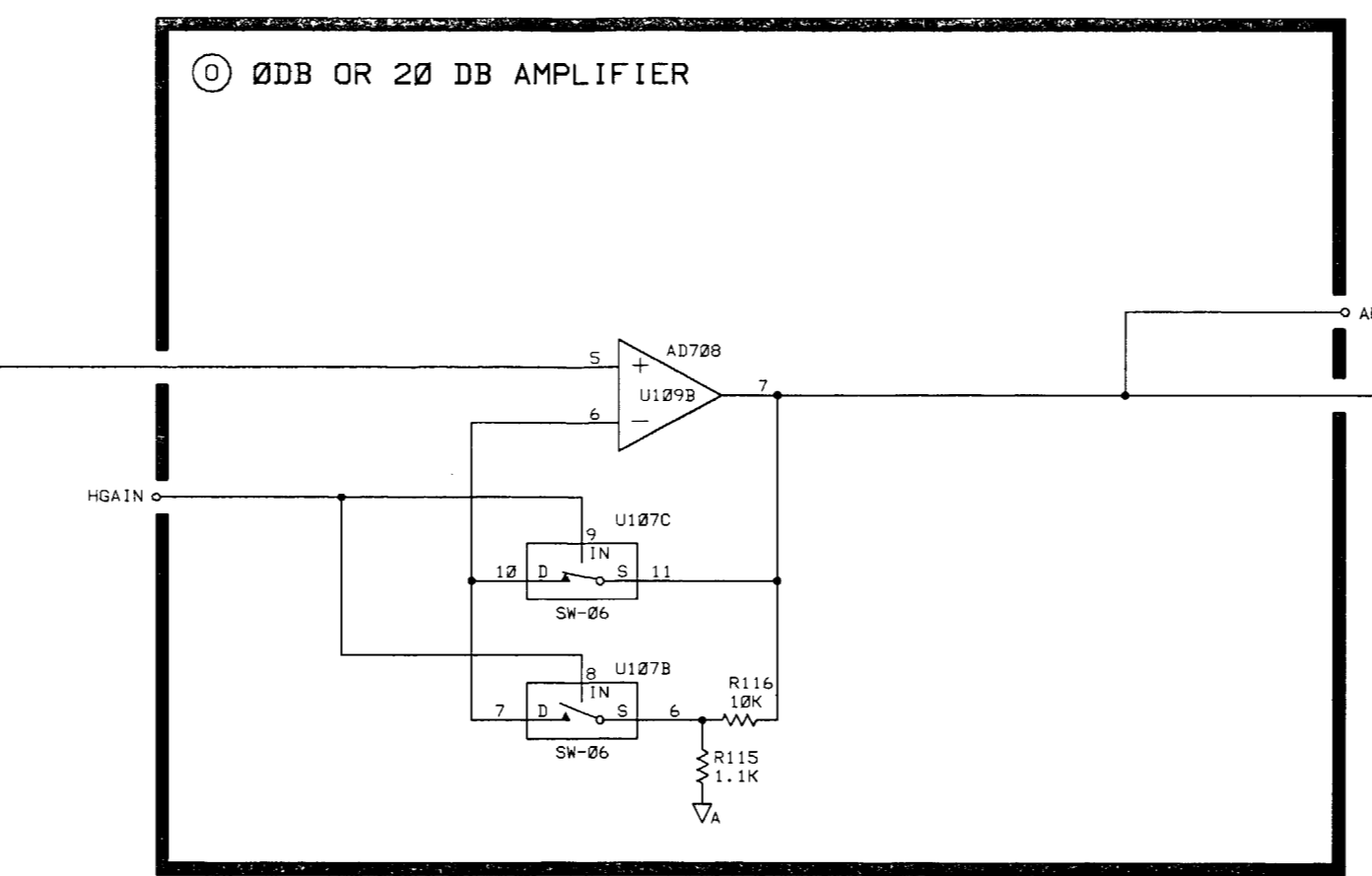
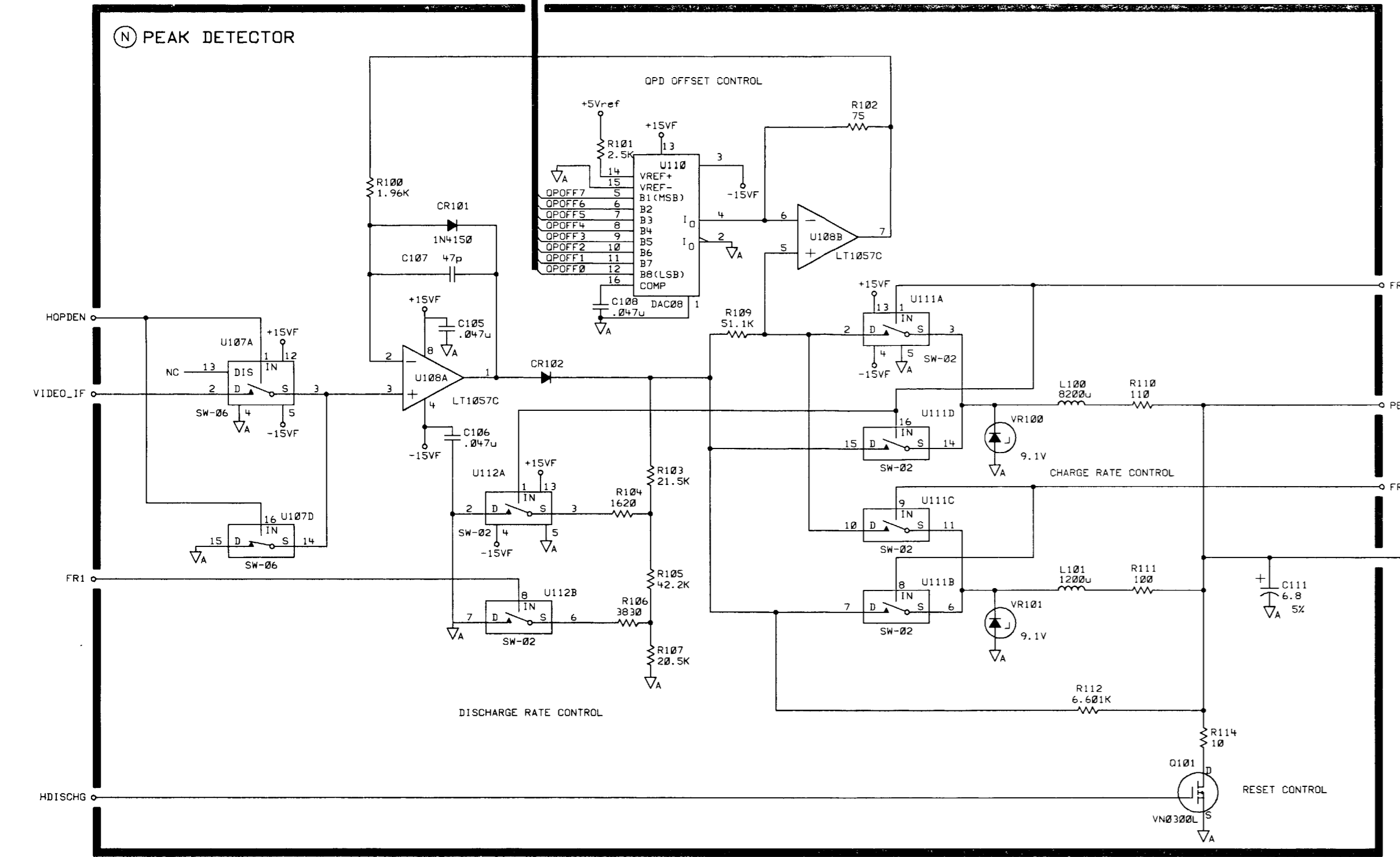
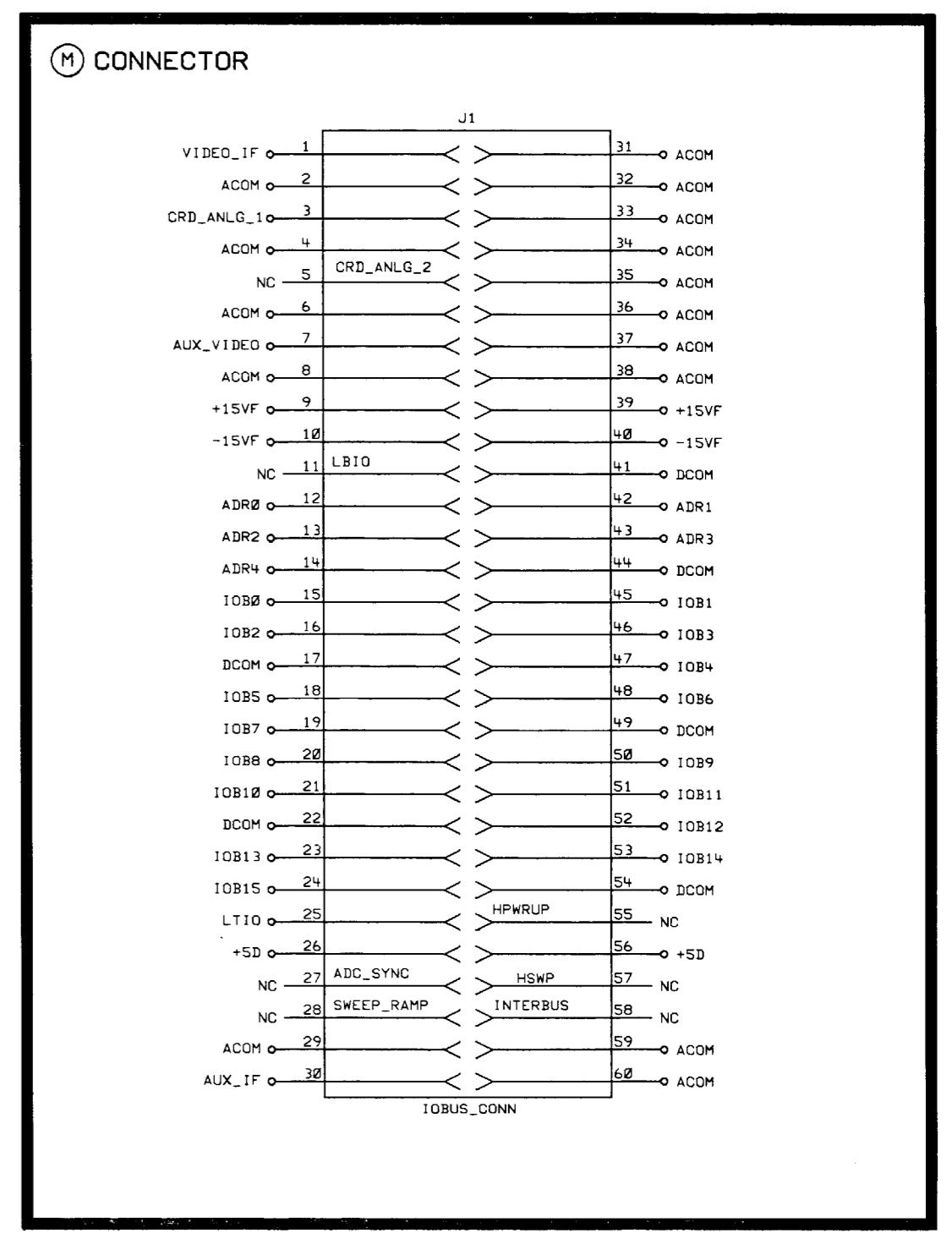
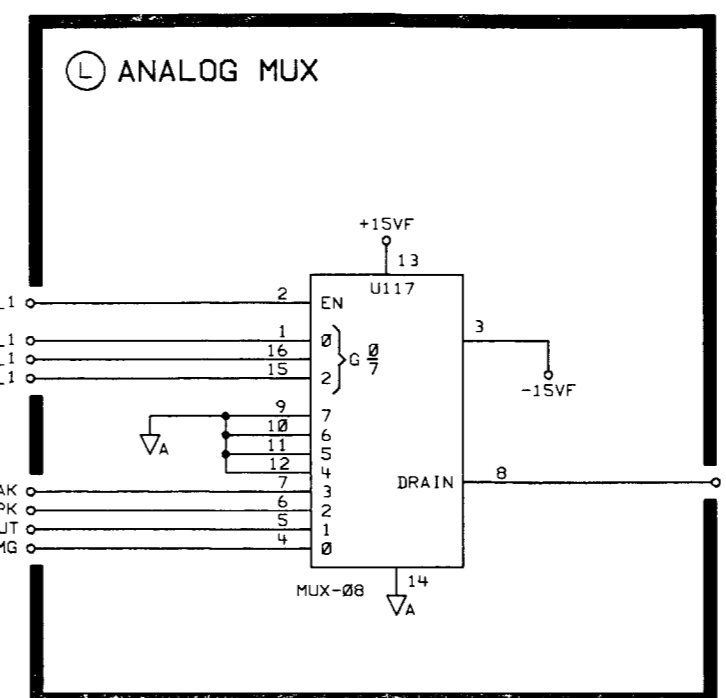
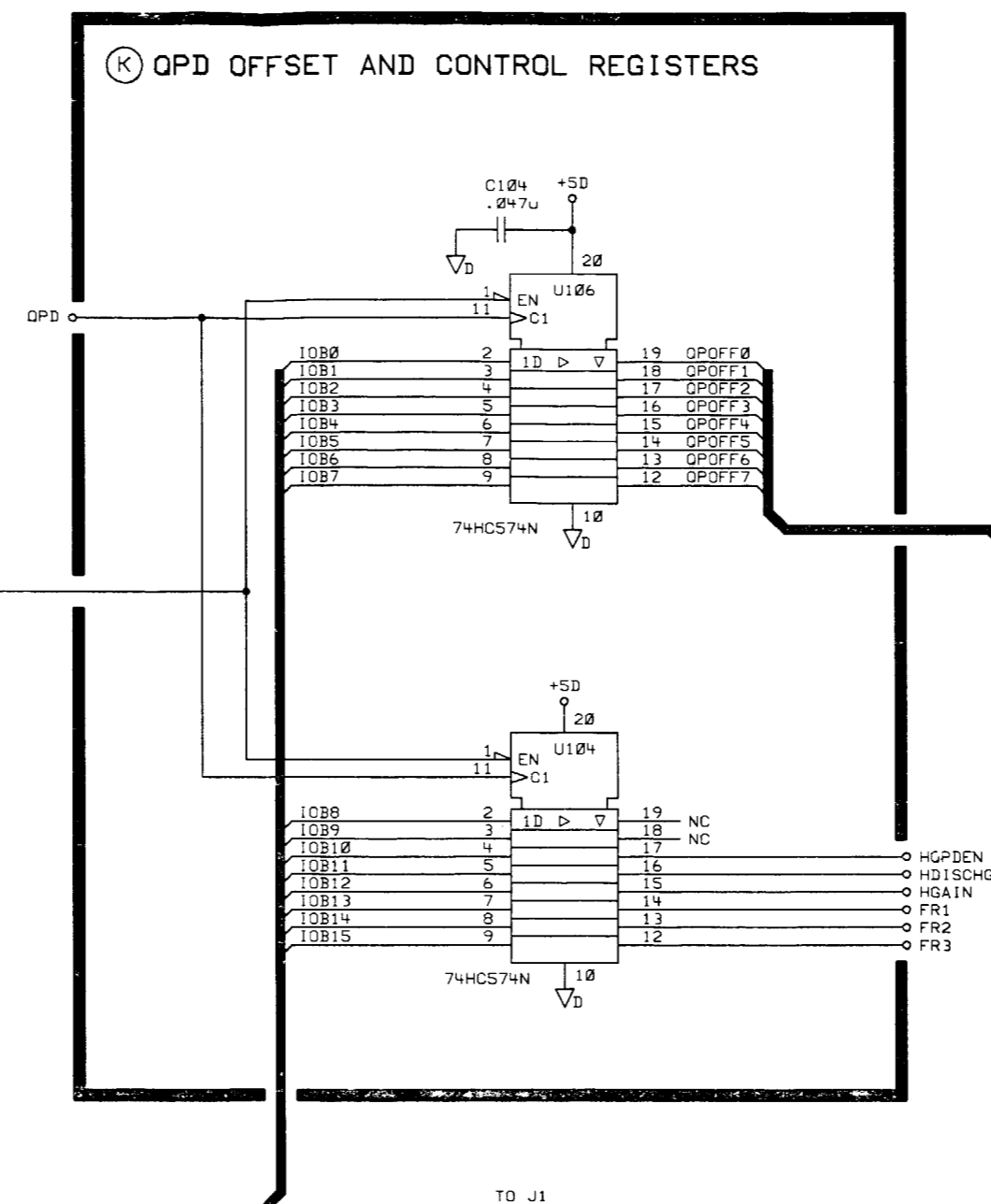
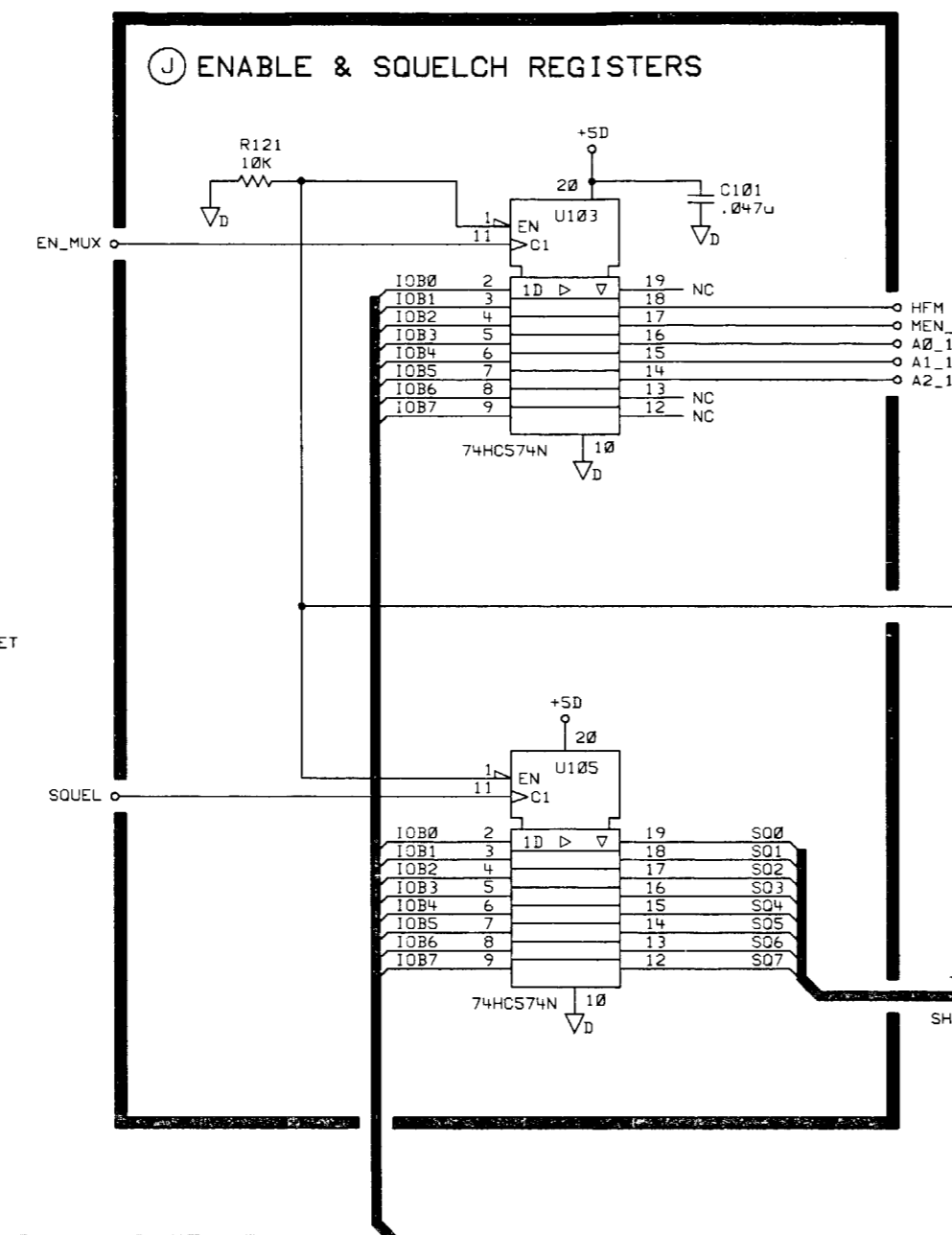
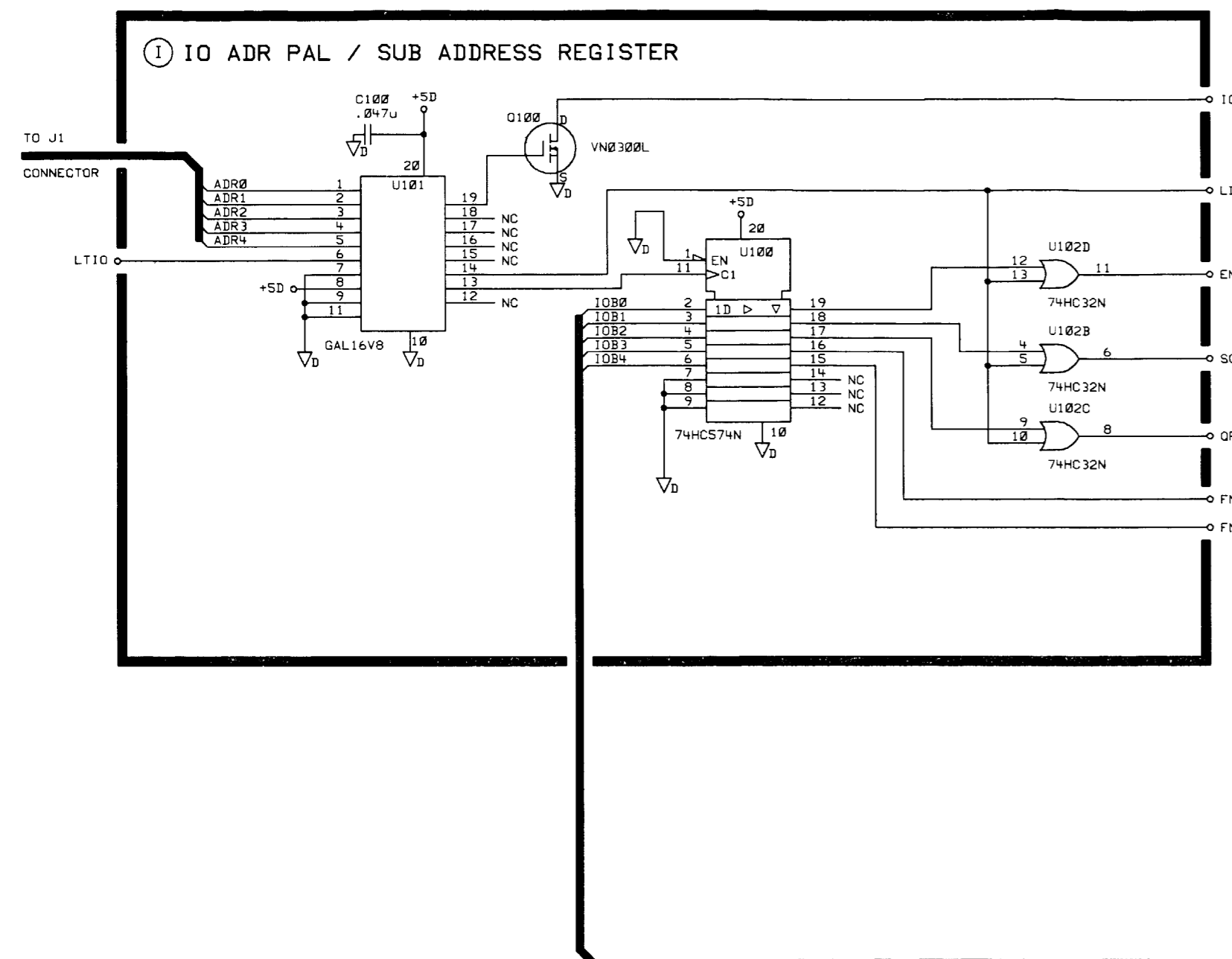
BLOCK	MNEMONIC	DESCRIPTION
J.L	A0-1	OUT MUX ADDR 0
J.L	A1-1	OUT MUX ADDR 1
J.L	A2-1	OUT MUX ADDR 2
L.D	AMPK	AMPLIFIED QPD LEVEL
C.M	AUX_VID	AUXILIARY VIDEO
H.M	AUX_IF	AUXILIARY IF
L.M	EN_MUX	OUT MUX REG STROBE
E.F	FM	FM SIGNAL
F.H.L	FMG	FM kHz/VOLT
F.I	FM_GAIN	FM GAIN DAC STROBE
F.I	FM_OFFSET	FM OFFSET DAC STROBE
K.N	FR1	FREQ BK 1
K.N	FR2	FREQ BK 2
K.N,P	FR3	FREQ BK 3
K.N	HSISQHG	DISCHARGE QPD, HIGH
A.H,J	HPM	FM ENABLE, HIGH
K.O	HOPEN	QPD GAIN ENABLE, HIGH
H.K,N	HSIDEN	QPD ENABLE, HIGH
I.M	ISB3	ID BUS BIT 3
F.I	LSATA	DATA STROBE, LOW
I.M	LTID	OUT MUX ENABLE
J.M	MEAL-1	QPD LEVEL OUT
L.N	PEAK	QPD REG STROBE
I.K	QPD	QPD REG STROBE
L.P	QPDOUT	QPD LEVEL OUT
I.J	SQUEL	SQUELCH REG STROBE
H.M,N	VIDEO_IF	VIDEO IF
B.E	+5Vr	+5 VOLT REGULATED
B.F,G,N	+5Vref	+5 VOLT REFERENCE
B.F	-5Vref	-5 VOLT REFERENCE

ITEM	QTY.	RAWBD = 5021-8691	PART/MATERIAL-DESCRIPTION	MAT'L-PART NO.	MAT'L-DWG. NO.	MAT'L-SPEC.
DRAWN BY						
ENGINEER/CHECKER						
RELEASE TO PROD.						
SUPERSEDES DWG.						

HP PROPRIETARY
 THIS DOCUMENT CONTAINS CONFIDENTIAL, PROPRIETARY INFORMATION THAT IS HEWLETT-PACKARD (HP) PROPERTY. DO NOT DISCLOSE TO OR DUPLICATE FOR OTHERS EXCEPT AS AUTHORIZED BY HP.

BOARD ASSEMBLY-
 QUASI PEAK
 DETECTOR
 TITLE (SCHEMATIC)
 PART NUMBER 5062-1983
 PROJECT-GENERAL FILENAME=5691A951
 SCALE NONE SHEET 1 OF 2 D-5062-1983-1

SYM	REVISIONS	APPROVED	DATE
A			



RAW BD = 5021-8691		PART/MATERIAL-DESCRIPTION		MAT'L-PART NO.	MAT'L-DWG. NO.	MAT'L-SPEC.
ITEM	QTY.					
DRAWN BY		DATE		BOARD ASSEMBLY- QUASI PEAK DETECTOR		
ENGINEER/CHECKER				TITLE (SCHEMATIC)		
RELEASE TO PROD.				PART NUMBER 5062-1983		
SUPERSEDES DWG.				PROJECT-GENERAL FILENAME-66918951 SCALE NONE SHEET 2 OF 2		

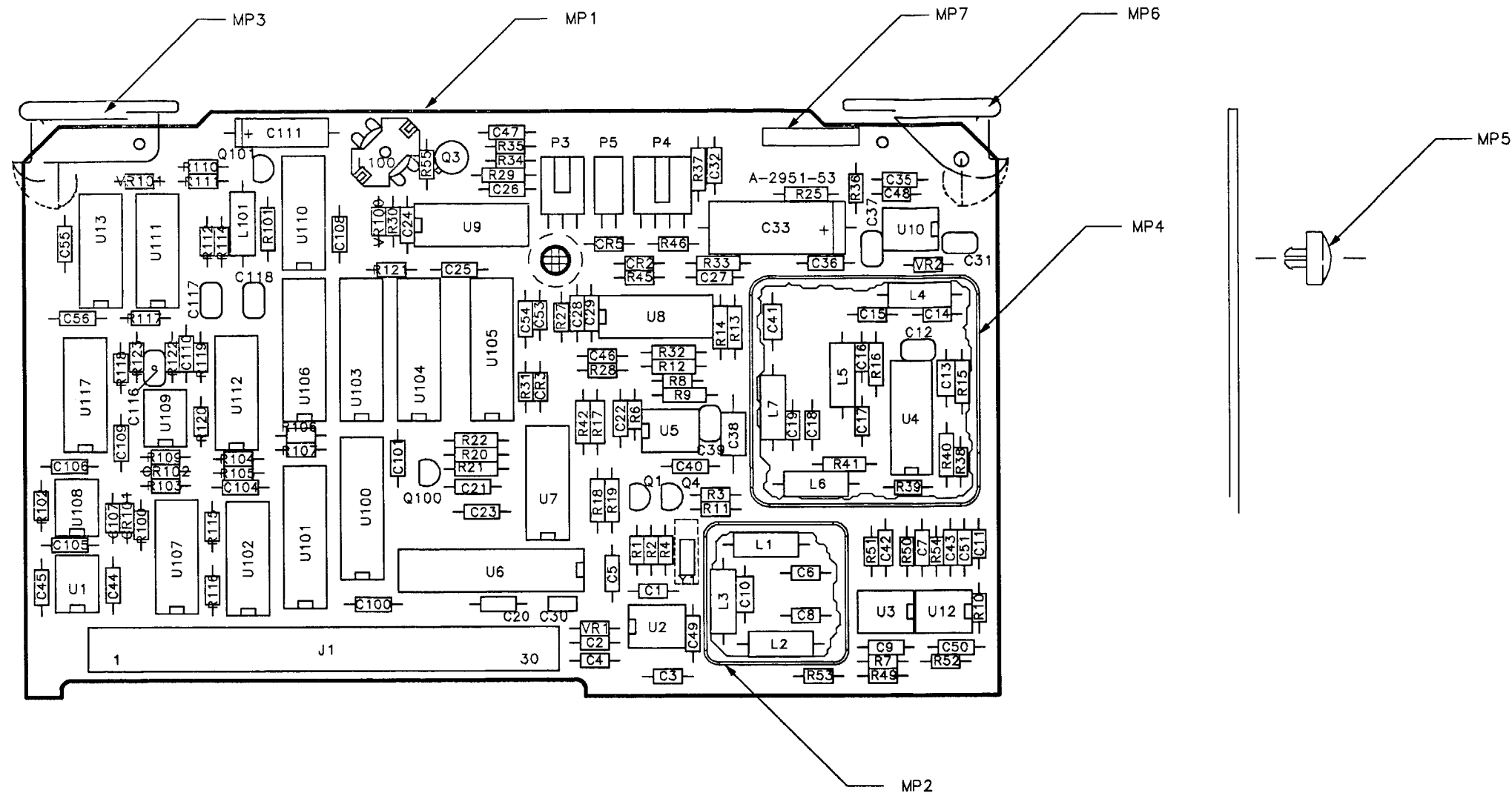
HP PROPRIETARY
THIS DOCUMENT CONTAINS CONFIDENTIAL, PROPRIETARY INFORMATION THAT IS HEWLETT-PACKARD (HP) PROPERTY. DO NOT DISCLOSE TO OR DUPLICATE FOR OTHERS EXCEPT AS AUTHORIZED BY HP.



HEWLETT
PACKARD

SCALE NONE SHEET 2 OF 2 D-5062-1983-1

SYM	REVISIONS	APPROVED	DATE
A			



NOTES: UNLESS OTHERWISE SPECIFIED

1. DIMENSIONS ARE IN INCHES.
2. MAXIMUM COMPONENT HEIGHT .450
3. MAXIMUM LEAD TRIM LENGTH .065

SEE 5062-1983 MATERIAL LIST
RAW BOARD NUMBER 5021-8691

HP PROPRIETARY
THIS DOCUMENT CONTAINS CONFIDENTIAL
PROPRIETARY INFORMATION THAT IS
HEWLETT-PACKARD (HP) PROPERTY. DO
NOT DISCLOSE TO OR DUPLICATE FOR
OTHERS EXCEPT AS AUTHORIZED BY HP.

UNLESS OTHERWISE SPECIFIED, DIMENSIONS ARE IN INCHES. TOLERANCES: XX.XXX 0.015 SEE CORP. STD. 608	DRAWN BY _____	DATE _____	BOARD ASSEMBLY- QUASI PEAK DETECTOR TITLE PART NUMBER 5062-1983 SCALE NONE SHEET 1 OF 1 D-5062-1983-2
	ENGINEER/CHECKER _____		
	RELEASED TO PROD. _____		
	SUPERSEDES DWG. _____		

